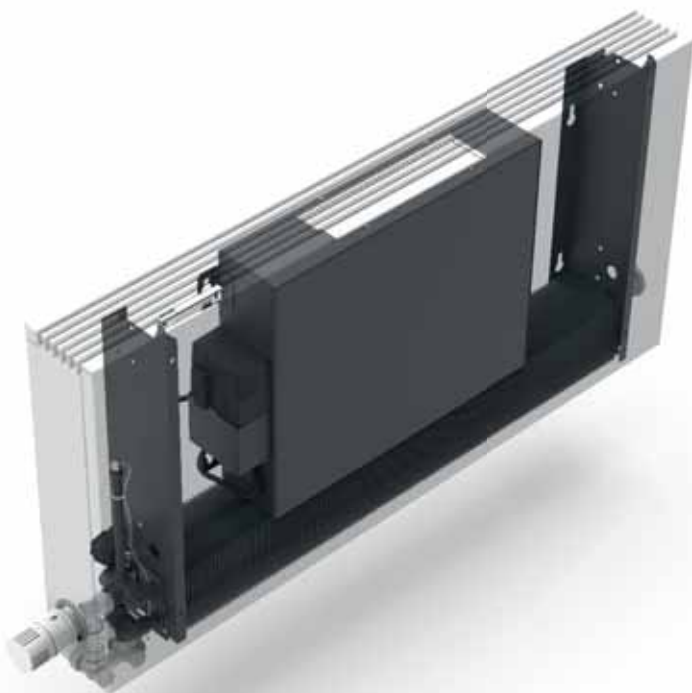


Oxygen Refresh Units

INSTALLATION INSTRUCTIONS OXRE.015 / OXRE.020 / OXRU.015 / OXRU.020



CONTENT

1. WARNINGS AND SAFETY	74
2. PACKAGING AND THE ENVIRONMENT	74
3. GENERAL INFORMATION	75
4. PRODUCT DESCRIPTION	76
5. TECHNICAL DATA	78
6. CONTROLS	82
7. ELECTRICAL CONNECTION	83
8. ORDERING CODE	86
9. OPTIONS / ACCESSORIES	86
10. MINIMUM RADIATOR DIMENSIONS	89
11. MOUNTING	90
12. STARTING UP THE DEVICE	92
13. OPERATING THE DEVICE	92
14. GUARANTEE	94
15. INSTRUCTIONS ON HOW TO DISMANTLE THE DEVICE	94

DECLARATION OF CONFORMITY

CEO JAGA N.V.
Jan Kriekels



16/05/2013

JAGA N.V. - Verbindingslaan 16 - B 3590, declares under its sole responsibility that the product to which this declaration relates: **OXYGEN** is in conformity with the following standards or documents provided that these are used in accordance with our instructions: **NBN EN 60335-1 based on EN 60335-1 :2002 + A 11 :2004 + A 1 :2004 + A 12:2006 + A2:2006 + A13:2008 + A14:2010 NBN EN 60335-2-65:2004 + A 1 :2009**

Following the provision of Directives as amended:

- Low Voltage 2014/35/EC
- EMC 2014/30/EC
- Machinery 2006/42/EC



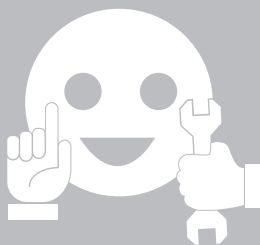
Jaga N.V.
Verbindingslaan 16
B-3590 Diepenbeek

 **+32 (0)11 29 41 11**

Jaga reserves the right to change product specification at any time in line with our policy of continuous improvement and innovation.

Please read these user instructions carefully to ensure correct use of the product.

The appliance must be installed by a qualified installer in accordance with the applicable national and local standards and regulations. Always wear personal protective equipment.



Important info

The Refresh Unit must be installed and connected by an approved installer in accordance with these installation instructions and the applicable national and local regulations. Read this manual carefully to ensure the device will be installed properly. Please follow these instructions and file them somewhere safe! The device must always be accessible so maintenance can be performed. Fully complying with the contents of this manual is the only way to ensure that failures are prevented and the device will work correctly.

The guarantee will be void when:

- malfunctions or damage occur due to non-compliance with the installation, cleaning, or usage instructions provided by the manufacturer.
- the device is used or handled in an incorrect, improper, and/or irresponsible manner.
- incorrect or non-professional repairs and defects arised due to external factors
- any repair carried out by yourself
- devices are installed in a manner that makes the devices difficult to access.

1. WARNINGS AND SAFETY

Installation:

- the customer must engage qualified staff, all applicable construction and safety regulations must be complied with during installation, commissioning, and maintenance of this product.
- wear suitable and on-site prescribed personal protective equipment (PPE), such as work gloves, safety glasses, etc.
- always switch off and unplug the power supply before installation or maintenance!
- use the Refresh Unit with care to prevent damage to the cover and the internal mechanical and electrical components.
- install devices only in places where there is no risk of exposure to rain.
- devices may not be installed in spaces with acidic, alkaline, or organic vapours, paints or other gases, corrosive gases, or gases with high concentrations of oily smoke.
- mount the device on a sturdy and stable surface.
- install this product in a location with a temperature between 5°C and 70 °C.
- install this product in a location with a relative humidity less than 90%.

Use:

This device is not intended to be used by people (including children) with reduced physical, sensory, or mental capacities, or who lack experience or knowledge, unless a person responsible for their safety supervises them or has explained how the device must be operated.

Always supervise children to ensure that they do not play with the device.

Please read the user manual carefully.

Maintenance:

- Always switch off and unplug the power before you install or maintain the device!
- Maintaining the device is very important to ensure it works correctly. Maintenance must be performed on a regular basis depending on the use and function of the room where the device is installed.
- Engage only qualified people to perform the maintenance work.
- Use only original parts.
- Cover: clean with a soft moist cloth. Do not use products based on solvents or cleaning agents.

Symbols:



Danger



Risk of electrical shock

2. PACKAGING AND THE ENVIRONMENT

Follow these instructions:

- check for any visible damage.
- open the packaging.
- remove the packaging materials and dispose them at the proper collection points or recycling facilities in accordance with the local regulations.



PROTECT THE ENVIRONMENT

Remove the packaging materials in accordance with the applicable national or local regulations.



DANGER

Keep the packaging out of the reach of children.

3. GENERAL INFORMATION

General information:

The JAGA OXYGEN REFRESH UNIT is a ventilation system for indoor air handling. Any other use is strictly prohibited.

Operational limits:

An installation that does not meet the specified operational limits releases Jaga NV from all liability with respect to damage to objects or people.

– mains voltage 230 V-1 ph-50 hz.

The devices satisfy the following directives:

– 2006/42/EC Machinery Directive

Specific conditions of use:

The device may not (standard IEC EN 60335-2-40) be installed:

- outdoors.
- in rooms subject to frost.
- in wet rooms (e.g. bathroom).
- in rooms where gases, vapours, or other substances with a risk of explosion are present.

The JAGA Refresh Unit will work correctly when the user instructions are strictly followed and the usage restrictions specified in this manual are strictly observed. An incorrect positioning or installation can amplify the noise levels and vibrations that occur during operation.

- the device can be used for residential purposes and small utilities.
- do not insert body parts or objects in the air inlet or outlet. A ventilator operating at high speed causes serious injuries. Never touch the air inlet or air outlet when the movable valve is in operation, e.g. fingers may get caught, the unit may be damaged, etc.
- devices that produce an open flame may not be installed at places that are within the airflow of a Refresh Unit.
- prevent water or other liquids penetrating the Refresh Unit. This can damage the internal (electrical) parts.
- use the Refresh Unit solely for the purpose it was developed for by the manufacturer. Any other use is considered improper and thus dangerous.
- if the specified space around the device is not respected, it will hinder the operation and maintenance of the device, and significantly reduce the output.
- the device must always be accessible for maintenance.
- only use original replacement parts.

Device identification:

The units have a type plate. You will find this on top of the OCU (Oxygen Control Unit) that is located on the left side of the unit.

Putting out of operation:

If the device will not be in use for a long period, the user should turn off the power supply by switching the power switch to the OFF position.

Before restarting the device after it has been powered off for a long period of time:

- clean or replace the air filter.
- check whether the air inlet and air outlet openings are free of obstacles.

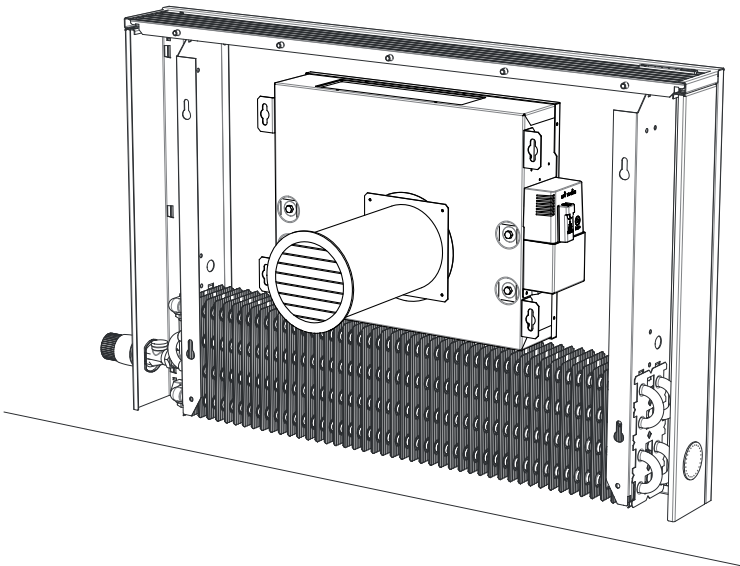
4. PRODUCT DESCRIPTION

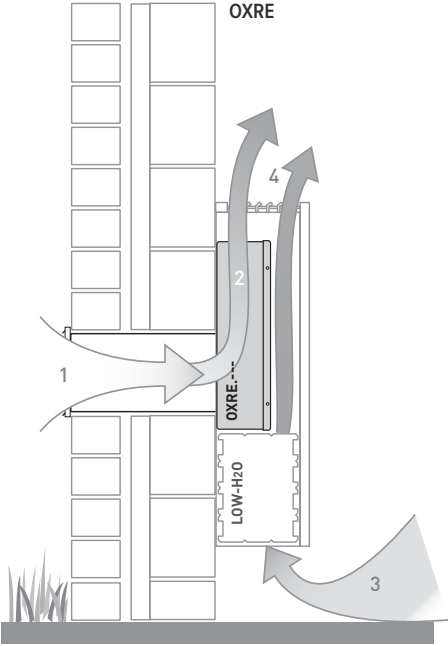
4.1. OPERATING PRINCIPAL

The Jaga Oxygen Refresh Units can be installed separately (Stand Alone) or integrated into Low H₂O radiators (Build In). There is a choice of five different controls, each with their own applications. Independent of the chosen control, a Refresh Unit has the feature that allows fresh air to be directly brought into the pertinent room. Coupling the simple connection of the unit to the outdoors air provides the most efficient manner of working. This results in very low RPMs of the ventilator as well as for a low noise level and low power consumption. If the Refresh Unit is installed in a Low H₂O radiator and the heating is turned on, the fresh/clean air will be mixed with the warm air. This provides the ideal level of comfort. The supply of fresh/clean air is suitable for dry or habitable rooms, such as living rooms, bedrooms, playrooms, study rooms, office spaces, etc.

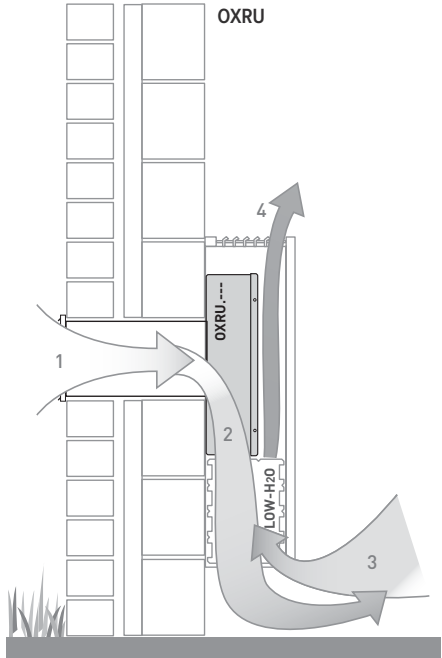
By supplying this product with different controls, Jaga provides you with the choice between:

- a manual control with a five-position touch control.
- a BMS control (Building Management System) or home automation using a 0 to 10 V signal.
- a combination of a BMS control and a manual control (0 to 10 V plus touch control).
- an automatic control where the ventilation level is regulated using CO₂ measurements.
- a SLAVE control that is regulated by a MASTER unit.





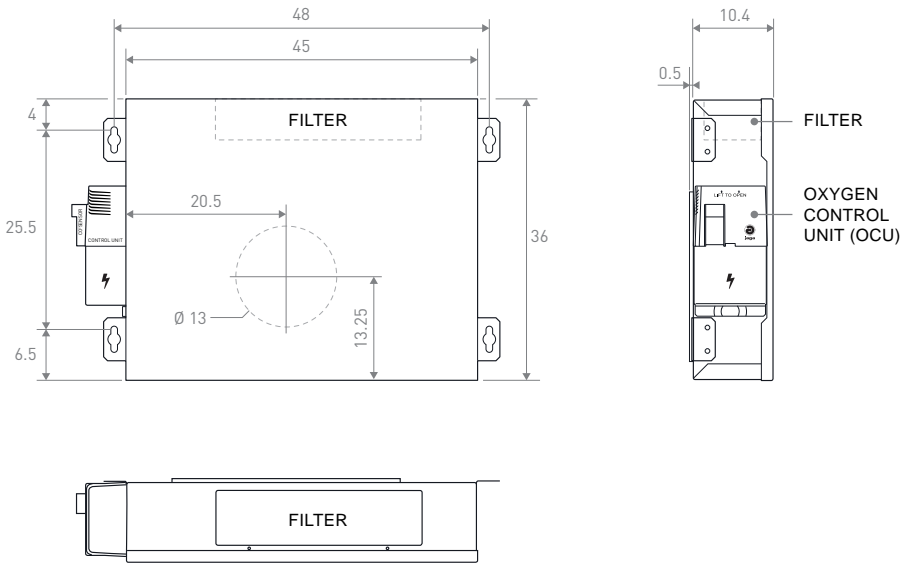
1. Fresh outdoors air is supplied.
2. The drawn-in air is filtered to provide optimally clean air.
3. The indoors air is supplied and warmed by the Low H₂O heat exchanger.
4. The filtered outdoors air and the warmed indoors air are mixed and supplied to the room.



5. TECHNICAL DATA

5.1. OXRE.015

5.1.1. Dimensions (cm)



5.1.2. Technical values

	OXRE.015			
Flow rate	75m ³ /h	90m ³ /h	110m ³ /h	150m ³ /h
Consumption	5W	5W	7W	13W
Noise level*	29.8dB(A)	33.8dB(A)	39.0dB(A)	48.9dB(A)
Damping Value**	valve open: 44dB / valve closed: 51dB			
Dimensions (BxHxD)	550x360x104mm			
Weight	9.1 kg			
Connection diameter	$\varnothing 125$ mm			
Filter ***	EN779: G3 / ISO16890: ISO coarse 50%			
Power supply	230V - 50Hz			
CO ₂ -measuring range****	400 - 2000ppm			
Protection Class	IP X1			

* According to Peutz report A-3192-11E-RA-001 [ISO3741:2010]

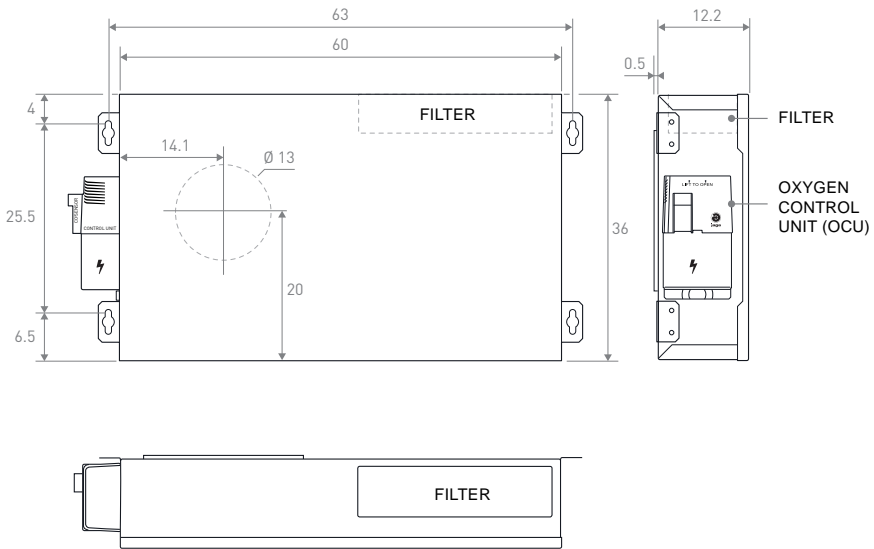
** According to Peutz report A-3192-11E-RA-001 [ISO717-01:2013]

*** The device is fitted with a G3 filter G3-filter / ISO coarse 50% as standard.

**** Only for use with the C4 control (CO₂MAN).

5.2. OXRE.020

5.2.1. Dimensions (cm)



EN

5.2.2. technical values

	OXRE.020			
Flow rate	75m ³ /h	90m ³ /h	110m ³ /h	150m ³ /h
Consumption	5W	5W	8W	13W
Noise level*	25.0dB(A)	29.3dB(A)	34.5dB(A)	41.0 dB(A)
Damping Value**	valve open: 54dB / valve closed: 56dB			
Dimensions (BxHxD)	700x360x122mm			
Weight	11.6 kg			
Connection diameter	$\varnothing 125$ mm			
Filter ***	EN779: G3 / ISO16890: ISO coarse 50%			
Power Supply	230V - 50Hz			
CO ₂ -measuring range****	400 - 2000ppm			
Protection	IP X1			

* According to Peutz report A-3192-7E-RA-001 [ISO3741:2010]

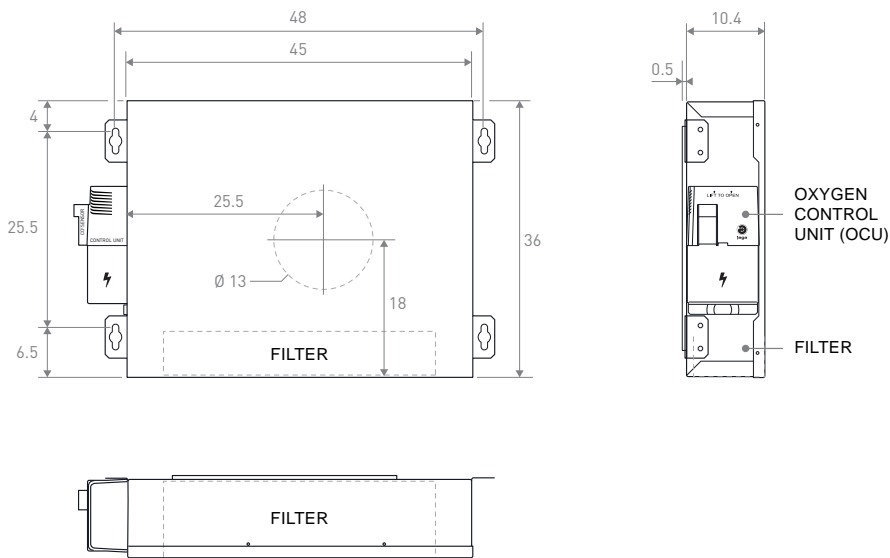
** According to Peutz report A-3192-7E-RA-001 [ISO717-01:2013]

*** The device is fitted with a G3 filter / ISO coarse 50% as standard.

**** Only for use with the C4 control (CO₂MAN).

5.3. OXRU.015

5.3.1. Dimensions (cm)



5.3.2. Technical values

	OXRU.015			
Flow rate	75m ³ /h	90m ³ /h	110m ³ /h	150m ³ /h
Consumption	4W	5W	6W	9W
Noise level*	30.8dB(A)	34.7dB(A)	39.5dB(A)	47.2dB(A)
Damping Value**	39dB			
Dimensions (BxHxD)	550x360x104mm			
Weight	8.2 kg			
Connection diameter	Ø125mm			
Filter ***	EN779: G3 / ISO16890: ISO coarse 50%			
Power Supply	230V - 50Hz			
CO ₂ -measuring range****	400 - 2000ppm			
Protection	IP X1			

* According to Peutz report A-3192-10E-RA-001 [ISO3741:2010]

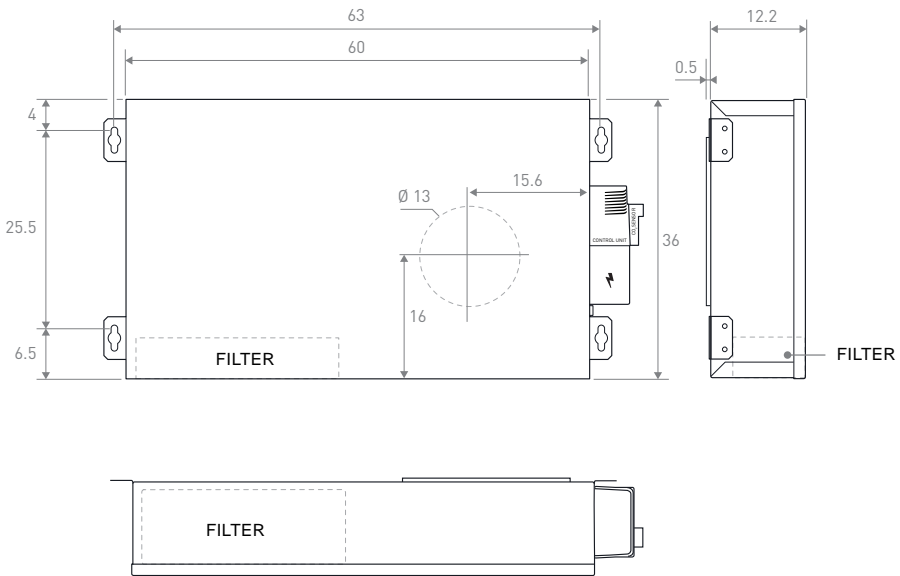
** According to Peutz report A-3192-10E-RA-001 [ISO717-01:2013]

*** The device is fitted with a G3 filter / ISO coarse 50% as standard.

**** Only for use with the C4 control (CO₂MAN).

5.4. OXRU.020

5.4.1. Dimensions (cm)



EN

5.4.2. Technical values

	OXRU.020			
Flow rate	75m ³ /h	90m ³ /h	110m ³ /h	150m ³ /h
Consumption	5W	5W	7W	11W
Noise level*	23.4dB(A)	27.5dB(A)	33.3dB(A)	40.9dB(A)
Damping Value**	52dB			
Dimensions (BxHxD)	700x360x122mm			
Weight	10.6 kg			
Connection diameter	Ø125mm			
Filter ***	EN779: G3 / ISO16890: ISO coarse 50%			
Power Supply	230V - 50Hz			
CO ₂ -measuring range****	400 - 2000ppm			
Protection	IP X1			

* According to Peutz report A-3192-9E-RA-001 [ISO3741:2010]

** According to Peutz report A-3192-9E-RA-001 [ISO717-01:2013]

*** The device is fitted with a G3 filter G3-filter / ISO coarse 50% as standard.

**** Only for use with the C4 control (CO₂MAN).

6. CONTROLS

6.1. 5 CONTROLS (OXYGEN CONTROL UNIT = OCU)

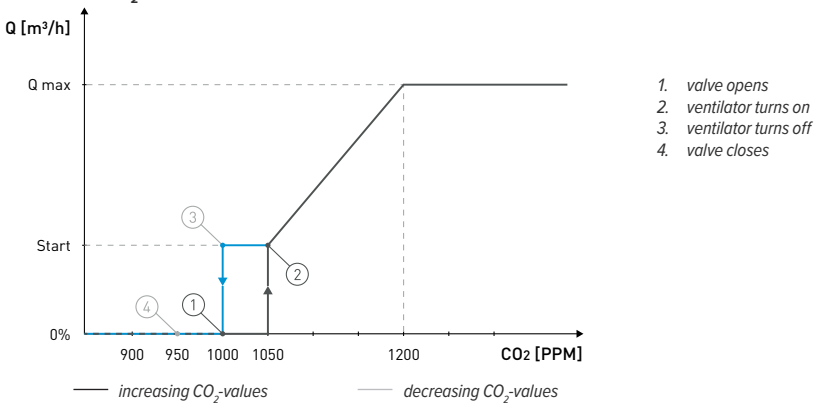
C1 = MAN	only manual operation using control panel
C2 = BMS	only 0 to 10 V analogue input (Building Management System)
C3 = BMSMAN	0 to 10 V analogue input plus manual control
C4 = CO2MAN	ventilation regulated based on CO ₂ plus manual control
C5 = SLAVE	the device that will be coupled to one of the above devices (cannot be independently installed) / the control is without a control panel.

For more information see info-fiche

6.2. CO₂-CONTROL

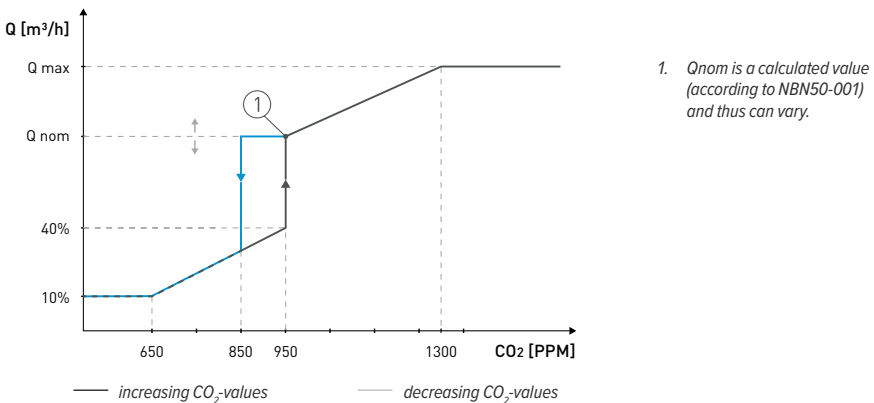
The current generation of CO₂ sensors has a built-in automatic calibration method. In this case, the calibration is carried out by reaching the CO₂ lower threshold of 400 ppm..

6.2.1. CO₂-control / VOD1 - NL, ES, UK, D1



1. valve opens
2. ventilator turns on
3. ventilator turns off
4. valve closes

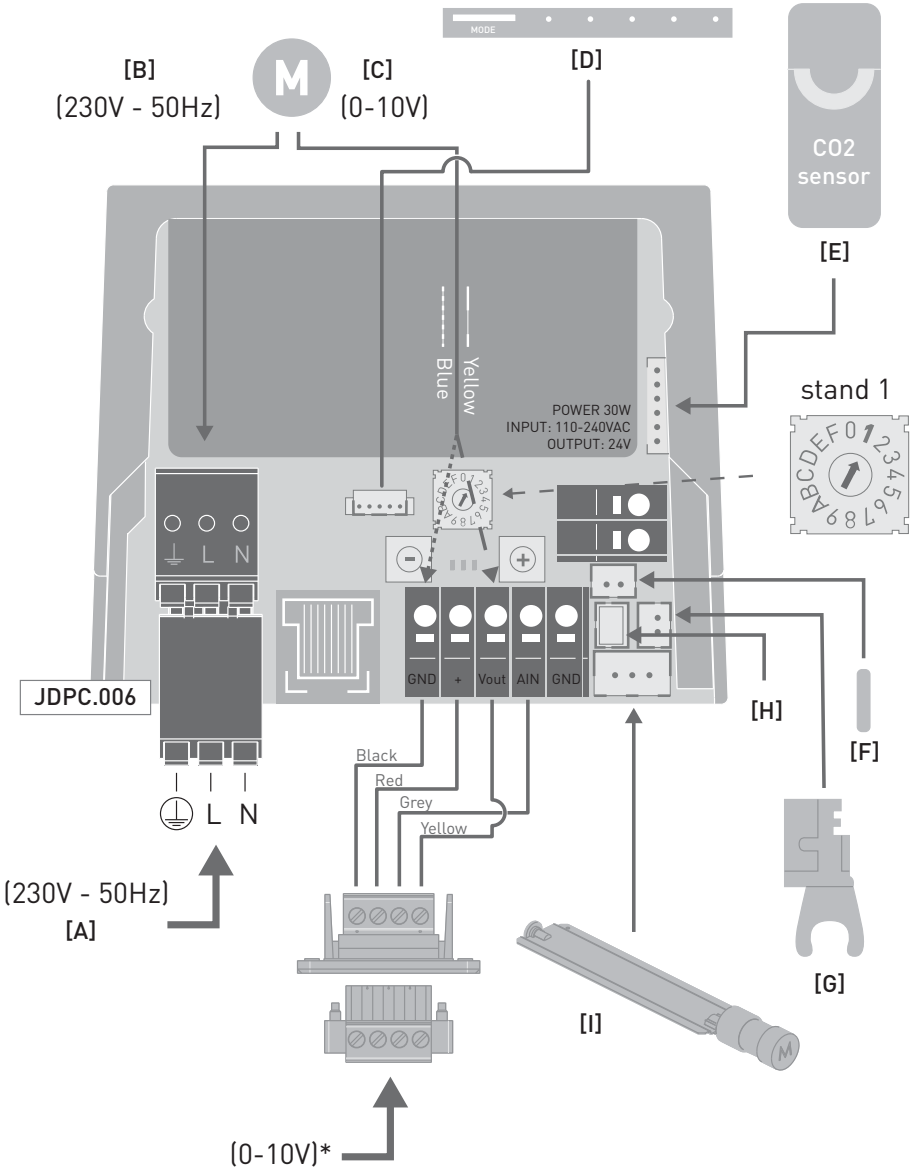
6.2.2. CO₂-control / VOD2 - BE, D2



1. Q_{nom} is a calculated value (according to NBN50-001) and thus can vary.

7. ELECTRICAL CONNECTION

PCB BOARD OVERVIEW

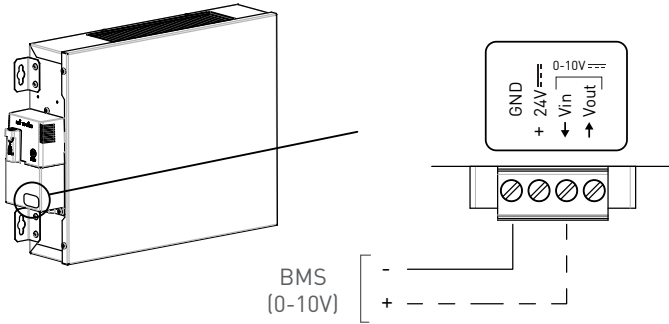


* This does apply for types: C2, C3 and C5.

		MAINS VOLTAGE	230V FAN	0-10V FAN	CONTROL	CO2-SENSOR	T AIR SENSOR	T WATER SENSOR	T ROOM SNEOSOR	VALVE
		A	B	C	D	E	F	G	H	I
OXRE.015	C1	✓	✓	✓	✓	X	✓	✓	X	✓
	C2	✓	✓	✓	X	X	✓	✓	X	✓
	C3	✓	✓	✓	✓	X	✓	✓	X	✓
	C4	✓	✓	✓	✓	✓	✓	✓	X	✓
	C5	✓	✓	✓	X	X	✓	✓	X	✓
OXRE.020	C1	✓	✓	✓	✓	X	✓	✓	X	✓
	C2	✓	✓	✓	X	X	✓	✓	X	✓
	C3	✓	✓	✓	✓	X	✓	✓	X	✓
	C4	✓	✓	✓	✓	✓	✓	✓	X	✓
	C5	✓	✓	✓	X	X	✓	✓	X	✓
OXRU.015	C1	✓	✓	✓	✓	X	✓	✓	X	X
	C2	✓	✓	✓	X	X	✓	✓	X	X
	C3	✓	✓	✓	✓	X	✓	✓	X	X
	C4	✓	✓	✓	✓	✓	✓	✓	X	X
	C5	✓	✓	✓	X	X	✓	✓	X	X
OXRU.020	C1	✓	✓	✓	✓	X	✓	✓	X	X
	C2	✓	✓	✓	X	X	✓	✓	X	X
	C3	✓	✓	✓	✓	X	✓	✓	X	X
	C4	✓	✓	✓	✓	✓	✓	✓	X	X
	C5	✓	✓	✓	X	X	✓	✓	X	X

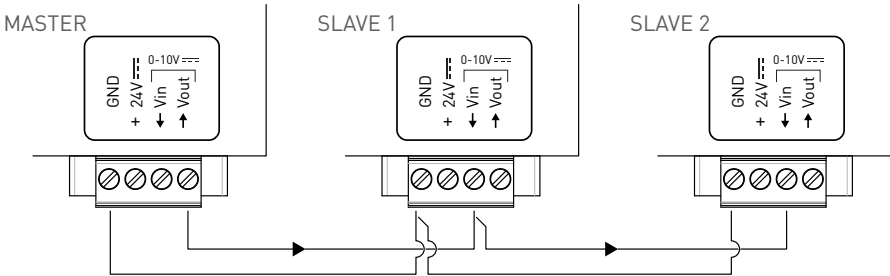
7.1. ELECTRICAL CONNECTION 0-10V

–Devices fitted with the C2 or C3 controls must be fitted beforehand with the 0 V to 10V (BMS) connections.



EN

–Devices fitted with the C5 Slave control must be connected beforehand with the Master device.

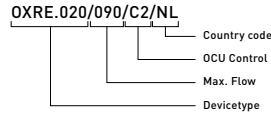


8. ORDERING CODE


 www.theradiatorfactory.com
 Jaga n.v. Verbindingslaan 16
 3590 Diepenbeek




Model : **OXRE.020/090/C2/NL**
 Config.code: **JDPC.006**
 Serial nr: **0117012009524034**
 Voltage: **240Vac** Max.Power: **75W** FWV: **0**

Devicetype	OXRE.015 / OXRE.020 / OXRU.015 / OXRU.020	
Max. Flow	075 / 090 / 110 / 150 / 200*	*: project units only
OCU control	C1 / C2 / C3 / C4 / C5	
Country code	BE / NL / ES / UK / D1* / D2*	*: Default country

CAUTION: Device parameters are country dependent.

For more information, see info sheet.

9. OPTIONS / ACCESSORIES

9.1. RF COUPLING (FOR BALANCING VENTILATION)

The use of the RFL-001 module on a Refresh Unit provides a wireless connection with other devices that are also fitted with an RFL-001 module. The combination of the C4 control (CO2MAN) and a Exhaustbox (OXEX.130) allows you to install a fully demand-driven D system that runs perfectly in balance.

Orderingcode: RFL.001

[See manual RF link: 27200-23200085]



RF LINK

9.2. GREENWIRE SYSTEM

Jaga uses Q-bus for home automation.

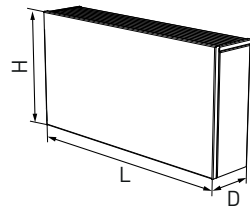
[See manual Greenwire: 27200-23200086]



9.3. STAND ALONE CASING

If the Refresh Unit is not combined with a Low H₂O radiator, it can installed in an 'empty' Low H₂O housing as used elsewhere in the home.

In addition to the standard Low H₂O housing, it is also possible to opt for a 'Stand Alone' housing with a STRADA look. The dimensions are aligned with the OXRE.



XXX: colour

Std. colour: 133 (white)

For more colours, see the catalogue.

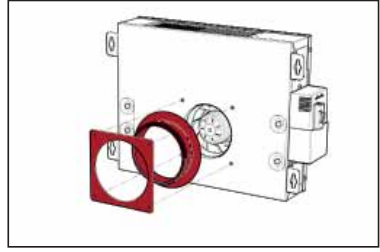
	H	L	D	ORDERING CODE
OXRE.015	42	60	12	COXW.OXRE015/XXX
OXRE.020	42	80	17	COXW.OXRE020/XXX

9.4. CONNECTION COLLAR Ø125

This option makes it easy to connect to rigid hoses or flexible ducts. This option can also be used in the standard set up in particular when the walls are thicker than 500 mm or the indoor walls have a very uneven surface.

Ordering code: 8800.4001

Attention: do not use another collar! Only use the Jaga connection collar. Fit the Jaga collar with the supplied rivets (no screws!).



9.5. FILTER

The Refresh Unit is fitted with a G3 Filter as standard. When indicated that the filter must be replaced, a new G3 filter can be ordered using the following reference details.

Other types of filters are also available. For more information, please contact Jaga.

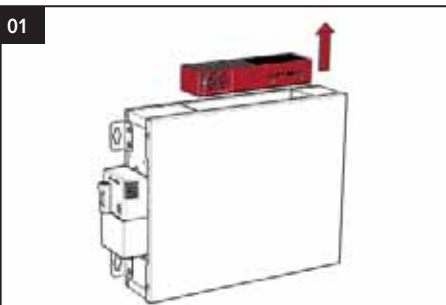
	DIMENSIONS (LXBXH)	ORDERING CODE
OXRE.015 / OXRE.020	260x66x48 mm	8800.1284
OXRU.015 / OXRU.020	350x100x48 mm	8800.1273

EN

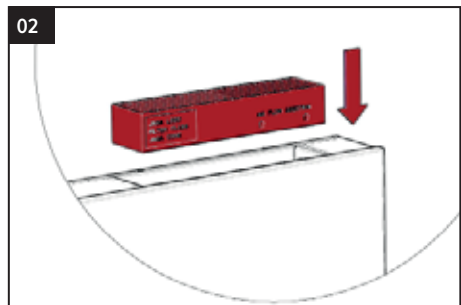
9.5.1. How do you replace a filter?

It is recommended that the provided filter be replaced after three months. This filter will be saturated in a short period of time because of the 'construction dust' present, which will greatly increase the filter's resistance. Please follow this recommendation to ensure that the device will work properly.

9.5.1.1. OXRE



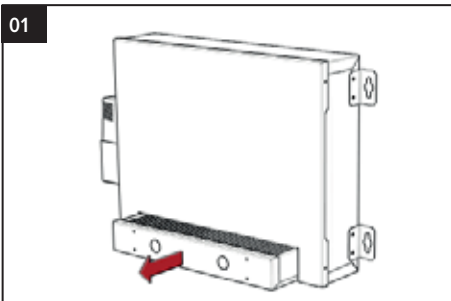
The filter is located at the top of the device.
Pull the filter upwards and out of the device.



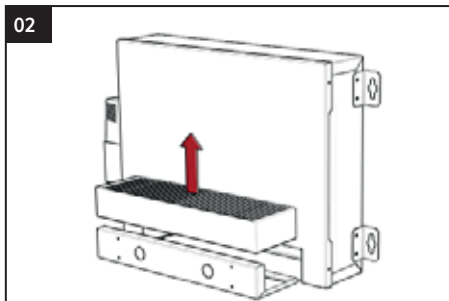
Install the new filter in the recess in the device.

⚠ Allow for the direction of the airflow. The arrows on the filter must point from bottom to top.

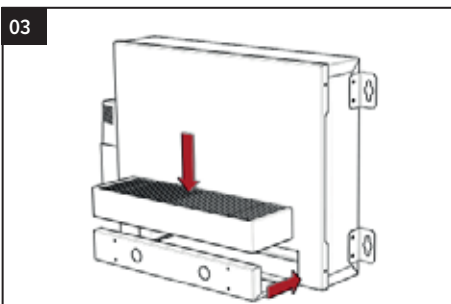
9.5.1.2. OXRU



The filter is located at the bottom of the device in a sliding drawer. Pull the sliding drawer open.



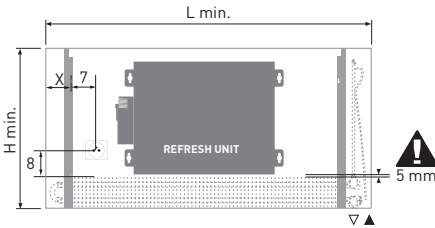
Remove the filter from the sliding drawer.



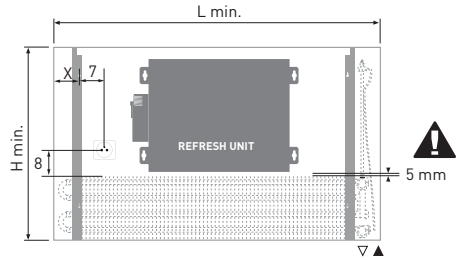
Install the new filter in the sliding drawer and push the drawer back into the device.

10. MINIMUM RADIATOR DIMENSIONS

Low H₂O Standard



Low H₂O twin



The Oxygen Refresh Units require free space with minimum dimensions. For the minimal height and length of radiators, see the tables below.

10.1. OXRE.015/OXRU.015 (36X55X10,4): LOW H₂O RADIATOR T10, T11, T15, T16, T20 OF T21

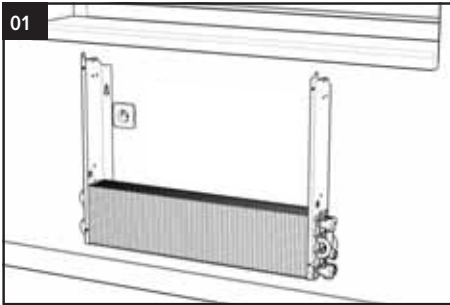
	STANDARD H MIN.	TWIN H MIN.	L MIN.
<i>Strada</i>	50	65	90
<i>Linea Plus</i>	50	65	90
<i>Tempo</i>	50	60	80
<i>Maxi WT/WF</i>	59	74	103
<i>Maxi FT/FF</i>	74	74	103
<i>Play</i>	50	65	100
<i>Knockonwood</i>	55	80	100

EN

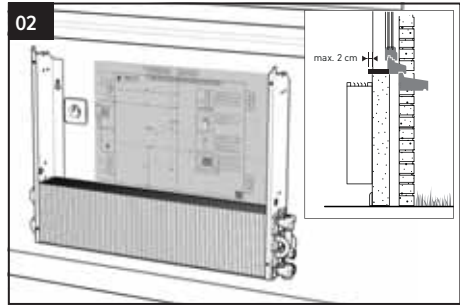
10.2. OXRE.020/OXRU.020 (36X55X10,4): LOW H₂O RADIATOR T15, T16, T20 OF T21

	STANDARD H MIN.	TWIN H MIN.	L MIN.
<i>Strada</i>	50	65	100
<i>Linea Plus</i>	50	65	100
<i>Tempo</i>	50	60	100
<i>Maxi WT/WF</i>	59	74	123
<i>Maxi FT/FF</i>	74	74	123
<i>Play</i>	50	65	120
<i>Knockonwood</i>	55	80	120

11. MOUNTING

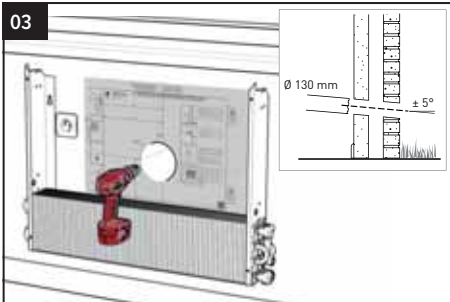


Place the radiator in accordance with the provided manual at the location of the cover.
The wall mass must be minimally 200 kg/m². A lower mass can increase the noise level.

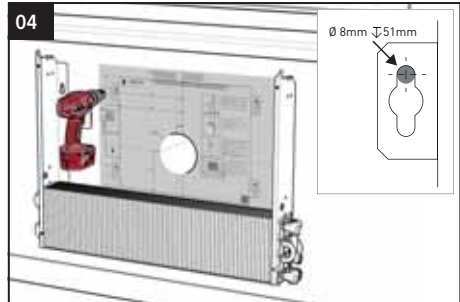


Place the drilling template as indicated.

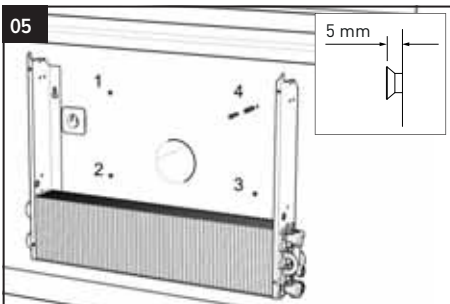
⚠ The window ledge may not stick out more than two cm from the inner wall.



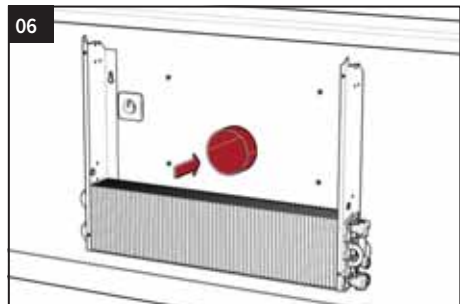
Drill the hole (Ø130mm)



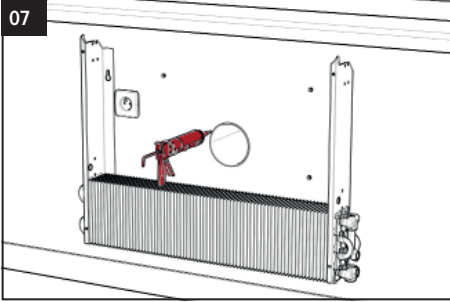
Drill the four holes to be used to mount the device using drill diameter 8 mm.



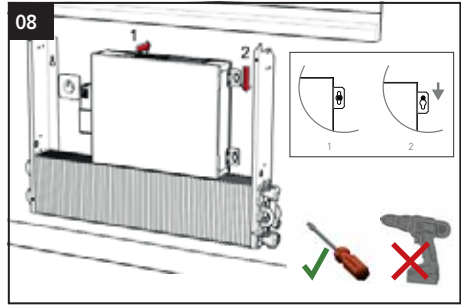
Insert 4 wall plugs and screw in the screws (5x60). If needed, use a washer between the screw head and the mounting tabs.
Use a plug suitable for the type of wall. The plug provided are suitable for solid walls only.



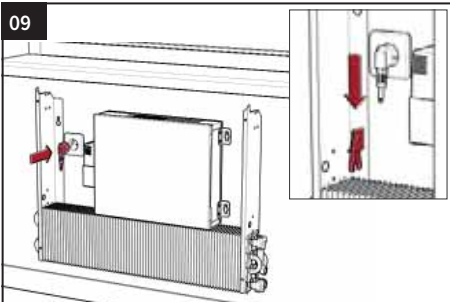
Jaga recommends using a hose diameter of 125 mm.
–determine the length of hose needed (indoors/outdoors sides must be level with the wall).
–remove any burrs.
–remove debris and clean the hose.



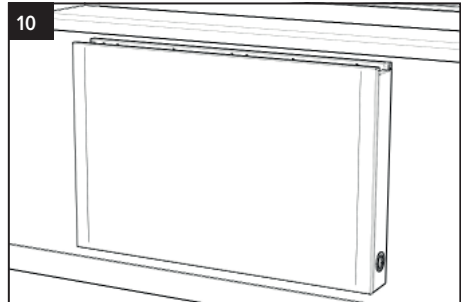
Use a mounting kit to secure the hose, both indoors and outdoors. And install the outdoors grille.



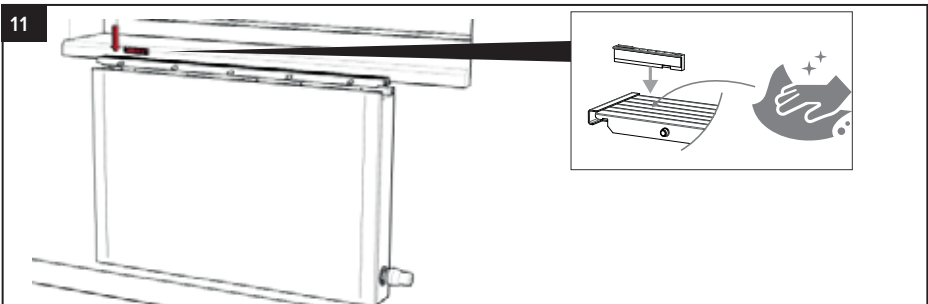
Stick the supplied insulation around the $\varnothing 12.5$ cm suction nozzle on the rear (not if the connection collar is used, see 9.4). Place the device in the correct position. Tighten the screws with a screwdriver.



Install the water temperature sensor on the tube of the heat exchanger and plug the power plug into the wall socket (230 V – 50 Hz).



Now mount the casing.



Insert the touch control in the grill of the casing. Not applicable for device types: C2 and C5.
▲ Clean the grill and remove grease from the area where the control will be attached.

EN

12. STARTING UP THE DEVICE

The Jaga Oxygen Refresh Unit is delivered with Plug&Play as standard.

This is activated when the device is powered up. It will function according to the chosen configuration (flow and control).

Note:

- Devices fitted with the C2 or C3 controls must be fitted beforehand with the 0 V to 10V (BMS) connections.
- Devices fitted with the C5 Slave control must be connected beforehand with the Master device.

How to connect 0-10 V: see pg 112

13. OPERATING THE DEVICE

The device is operated using the MODE button on the left side of the control panel.

This does not apply for types C2/C5.

OPERATION LAMPS

LED Colour

Green

LED active position flashes slowly

Manual control position – Indicates position

LED off

Automatic control position (C3/C4)

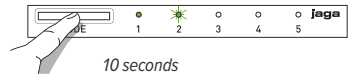
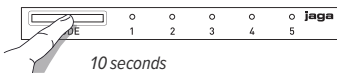
LED active position flashes quickly

Filter indicator (see ALERTS)

MODE button flashes quickly

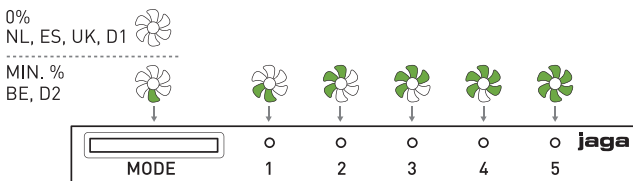
Frost protection

13.1. SWITCHING ON / OFF THE DEVICE



13.2. OPERATION

The manual control can set the ventilator to **5 positions**:



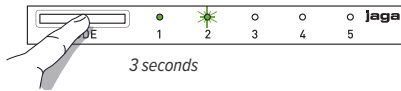
13.2.1. Manual operation

Manually lower / increase the position: quick press respectively [-] and [+]



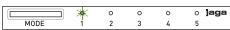
13.2.2. From manual to automatic operation (c3/c4)

LEDs indicate ventilation level based on measured air quality.



EN

13.3. NOTIFICATIONS / ERROR CODE



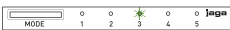
LED 1 flashes- problem with T sensor water

Check whether the sensor is connected. If necessary, replace the sensor



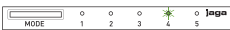
LED 2 flashes - problem with T sensor space

Check whether the sensor is connected. If necessary, replace the sensor



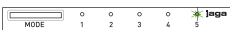
LED 3 flashes - problem with T sensor air

Check whether the sensor is connected. If necessary, replace the sensor



LED 4 flashes - communication problem with CO₂ sensor.

Check whether the sensor is connected. If necessary, replace the sensor



LED 5 flashes - CO₂ sensor not connected.

Check whether the sensor is connected. If necessary, replace the sensor



LED of activated position flashes quickly - Filter indicator

Replace the filter. After replacing the filter, the time clock of the filter must be reset.

⚠ Please consult the service manual when replacing parts. If alerts persist, contact your installer or distributor.

14. GUARANTEE

This device is not intended to be used by people (including children) with reduced physical, sensory, or mental capacities, or who lack experience or knowledge, unless a person responsible for their safety supervises them or has explained how the device must be operated.

Always supervise children to ensure that they do not play with the device. Please read the user manual carefully.

Faults can only be prevented and malfunction-free operation safeguarded by fully complying with the content of this manual.

The guarantee is voided when:

- malfunctions or damage occur due to non-compliance with the installation, cleaning, or usage instructions provided by the manufacturer.
- the device is used or handled in an incorrect, improper and/or irresponsible manner.
- incorrect or non-professional repairs and deficiencies are caused by external factors.
- changes are made to the device.
- devices are installed such that these are not easily accessible.

If you have questions or complaints, please contact your supplier or installer.

The copyright for this manual is the property of Jaga N.V.

Jaga cannot be held liable for any damage resulting from not following the instructions in the provided manual(s). If necessary, the instructions in the manuals for the accessories used also apply.

15. INSTRUCTIONS ON HOW TO DISMANTLE THE DEVICE



PROTECTING THE ENVIRONMENT

Jaga N.V. always focuses a lot of attention on protecting the environment.

If the device is dismantled, it is important to observe the following procedures:

- the device may only be dismantled by a company that is qualified to remove the waste from machines/products.

The device as a whole is composed of material considered to be secondary raw materials and the following condition must be complied with:

- a device that contains antifreeze must be dismantled in an environmentally conscious manner and must not be handled as ordinary waste.
- the electronic components (electrolytic capacitors) are considered as special waste and must be removed and transported by an organisation that is authorised to collect such waste.

NOTES

EN

Jaga N.V. - Verbindingslaan 16 - B-3590 Diepenbeek
Tel.: +32 (0)11 29 41 11 - Fax: +32 (0)11 32 35 78
info@jaga.be - www.jaga.com

27200.23200087 - 14 januari 2020, 8:53 - Jaga N.V. - V_04